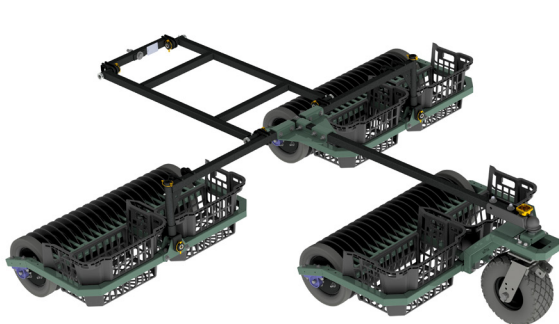
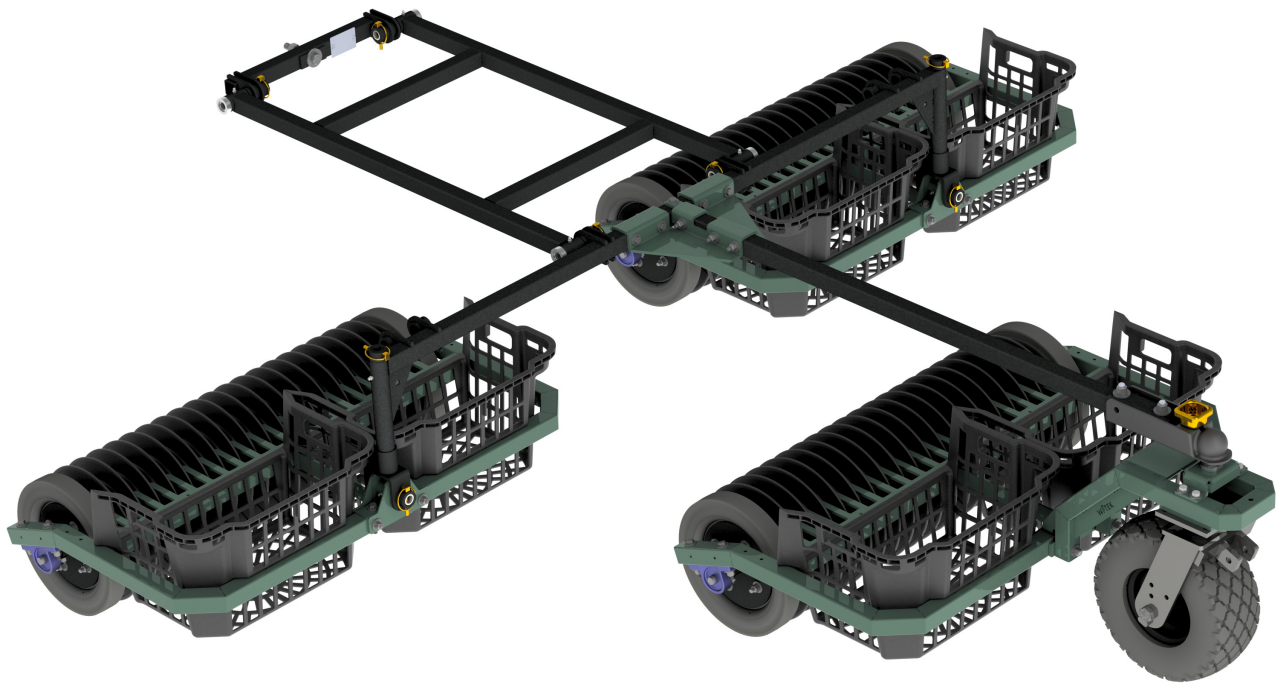
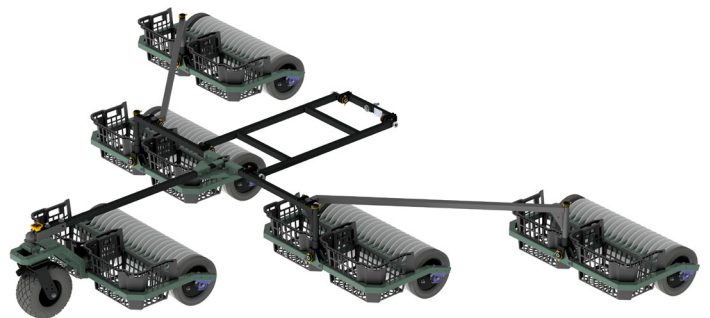


Range Rover

Next Gen 3 Gang & 5 Gang *Manual*



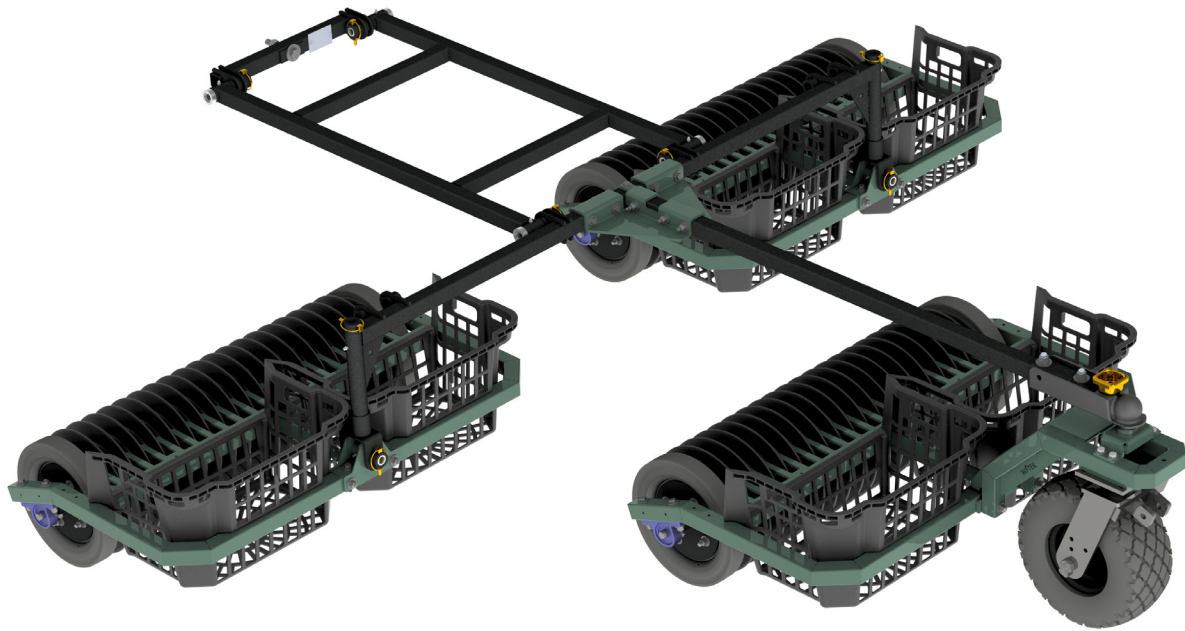
3 Gang



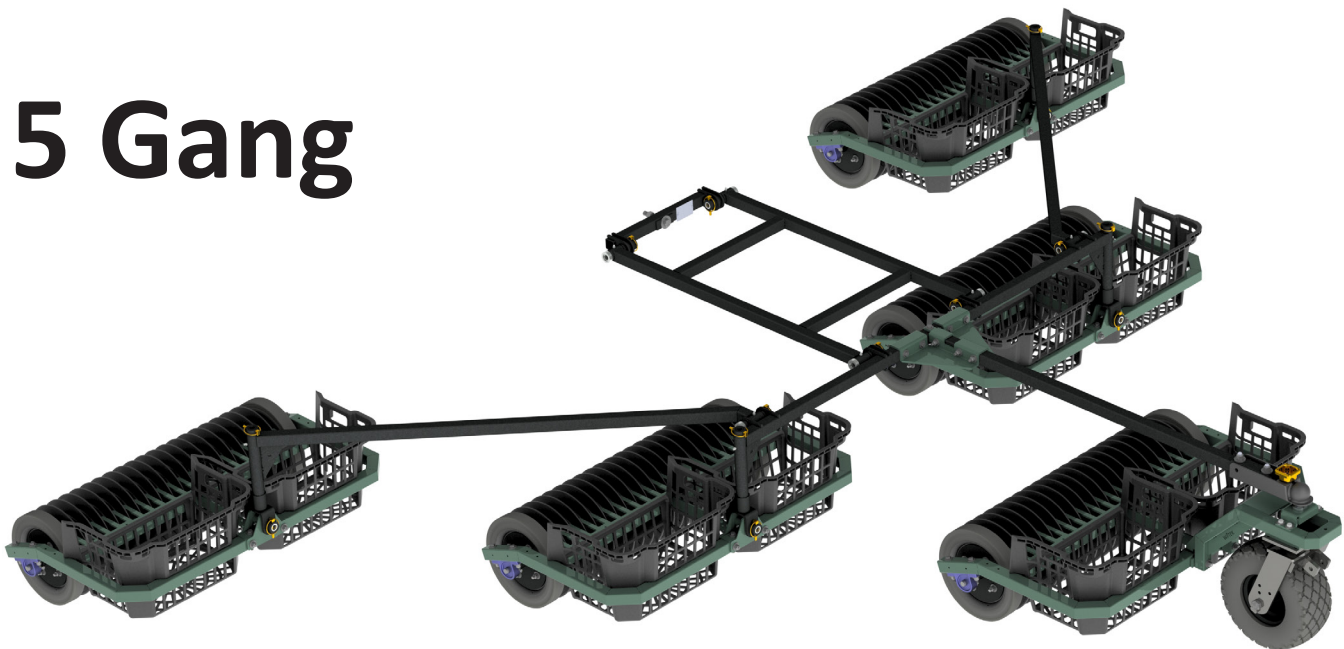
5 Gang

Call 1-800-869-1800 or go online at www.wittekgolf.com to order!

3 Gang



5 Gang



Unpacking and Inspection

3 Gang Next Gen Range Rover Ball Picker (Three Section)

One skid contains:

- 1 – Front Drawbar
- 1 – Rear Drawbar with Mounted Plate (hardware bag tied to bar)
- 1 – Front Picker Section with Gooseneck and Swivel Caster Fork with Wheel
- 2 – Rear Picker sections
- 6 – Picker baskets
- 1 – Push bar (H-bar) complete with
4 (5”) Universal Bullet Pins *and* 4 Retaining Pins
- 1 – Vehicle attachment bar complete with bolt,
washer & nut (attached to push bar)
- 2 – Post assembly brackets complete with Collars and Retaining Pins

5 Gang Range Rover Ball Picker (Five Section)

One skid contains:

- 1 – Front Drawbar
- 1 – Rear Drawbar with Mounted Plate (hardware bag tied to bar)
- 1 – Front Picker Section with Gooseneck and Swivel Caster Fork with Wheel
- 4 – Rear Picker sections
- 1 – Left Extension Arm with Universal Bullet Pin and Retaining Pin
- 1 – Right Extension Arm with Universal Bullet Pin and Retaining Pin
- 10 – Picker baskets
- 1 – Push bar (H-bar) complete with
4 (5”) Universal Bullet Pins *and* 4 Retaining Pins
- 1 – Vehicle attachment bar complete with bolt,
washer & nut (attached to push bar)
- 4 – Post assembly brackets complete with Collars and Retaining Pins

IMPORTANT

INSPECTION

Check that all components are accounted for. Contact WITTEK **immediately** if any components are missing.

Inspect all components for visible damage. If any damage is discovered, report it to the shipping carrier and take the appropriate action. Check that all moving parts (front wheel, caster fork, and drum sections) move and turn freely.

Customer is responsible for filing any damage claims with the carrier.

Assembly of the 3-Gang Picker

Assemble the picker on level ground.

Installing Swivel and Caster fork (if not already installed):

1. Remove nylon lock nuts and washers from bolts on Swivel Caster.
2. Align Swivel Caster Fork with Mount Plate on bottom of Gooseneck.
3. Install and secure washers and bolts through Caster into Gooseneck.

Assembling Draw Bar:

1. Install Mount Plate with Bolts through Rear Draw Bar (leave one interior bolt removed).
2. Push Front Draw Bar tabs into slots on Rear Draw Bar and secure all bolts and washers.
3. Mount the front of the drawbar to ball hitch as with conventional trailer mount.
4. Tighten the coupler all the way then loosen $\frac{1}{4}$ turn.

Installing the Rear Picker sections:

1. Remove Retaining Pin and 5" Universal Bullet pin from post assembly bracket (the pin that is mounted horizontally on post assembly bracket).
2. Insert mounting bracket (on frame) in between post assembly bracket.
3. Insert Universal Bullet Pin through post assembly and mounting bracket.
4. Replace retaining pin.
5. Remove shaft collar and retaining pin on the vertical rod of the post assembly.
6. Insert post assembly arm upward through sleeve of drawbar.
7. Replace shaft collar and retaining pin.

Mounting the push bar (H-Bar):

1. Remove the two Universal Bullet Pins from the push bar.
2. Align the mounting sleeves on the end of the push bar with the corresponding mounting sleeves on the back of the drawbar.
3. Insert the Universal Bullet Pins through the sleeves and replace retaining pins.

Place the picker baskets into the picker assembly.

Continue if assembling a *5-Gang Picker*

Installing the 5-gang additional parts:

1. Remove the Universal Bullet Pins from the Left and Right Extension Arms and align the mounting sleeves to the appropriate side on the drawbar.
2. Insert the Universal Bullet Pins through the sleeves and replace Retaining Pins.
3. Remove Retaining Pin and Universal Bullet Pin from Post Assembly (horizontal Pin).
4. Insert mounting bracket (on rear Picker frame) in between Post Assembly bracket.
5. Insert Universal Bullet Pin through Post Assembly and mounting sleeve.
6. Replace Retaining Pin.
7. Remove Shaft Collar and Retaining Pin from the vertical shaft of the Post Assembly.
8. Insert Post Assembly upward through the sleeve of the Extension Arm.
9. Replace Shaft Collar and Retaining Pin.
10. Repeat process (3 – 9) for opposite Extension Arm section.

The Range Rover picker is now completely assembled and ready to be mounted to the drive vehicle.

Mounting the Vehicle Attachment Bar

IMPORTANT

Because of styling and manufacturing differences in golf carts, the Wittek vehicle attachment bar may not clear front wheels and tires, and a special extension/adaptor bracket will be required.

If optional adapter bracket wasn't purchased, be sure to mount the attachment bracket onto the frame or on a sturdy portion of the frame on the golf cart.

1. Position the Vehicle Attachment Bar in the desired area on the golf cart.
2. Mark the location of the Mounting Bolt.
3. Drill a hole to accommodate the Mounting Bolt.
4. Install the Vehicle Attachment Bar with Bolt, Washers, and Nut.
5. Remove the Universal Bullet Pins from Vehicle Attachment Bar and align the mounting sleeves.
6. Replace the Universal Bullet Pins and Retaining Pins.

At this time, place the picker baskets in the appropriate spaces and make sure to grease wheel, fittings etc...

The Range Rover Picker is now ready for operation.

Operation and Use

Specifics, such as travel patterns and picking frequency, are unique to each individual range. Through repeated use, range operators will learn to adapt to the use of the Ranger Rover to their best advantage.

The following are some general guidelines for the best use of the Range Rover.

Picking Operation

- **Maintain vehicle speed of 5-7 mph.**
- Avoid sharp turns, which can turn the front picker section to an extreme angle and create a gap that misses balls.
- Gauge the use of the Range Rover on weather and ground conditions that would affect the use of golf carts.
- Avoid abrasive surfaces, such as paved parking lots, asphalt or concrete, stone or gravel road, or cart paths.
- Clean the picker at the end of each day or more often in extremely wet or muddy conditions. Use a mild soap with a moderate flow of water.

Preventive Maintenance

Lubricate the front wheel, swivel caster fork and post assemblies weekly or more often depending on use. These hubs are fitted with zerk fittings for this purpose. Use a lithium axle or bearing packing grease.

Spray all moving metal contact points with a petroleum-distillate based aerosol lubricant every week or more often depending on use.

Check all retaining pins and mounting bolts, tie rod ends, shaft collars, and draw bar connections at least once a week or more depending on usage.

Off-Season Storage

Disassemble picker and store in a shelter protected from extreme weather conditions.

When disassembled, keep all post assembly brackets and connecting rods and pins in a safe place to avoid loss.

Be aware of specific weather or climatic conditions (extreme aridity or salt/sea humidity, etc.), and apply appropriate storage precautions to machinery.

Start of Season - Preparing after Storage

Coat all moving metal contact points (shafts, bearings and axles, etc) with a liberal amount of non-gumming Teflon or petroleum-distillate based aerosol lubricant with a clean, lint-free cloth or towel.

Replacing Worn or Damaged Discs

These instructions are for replacing worn or damaged discs of the drum section.

Preparations:

1. Remove drum section from frame.
2. Determine the shortest point to worn/damaged disc.

3. Remove pillow block bearings from the axle on the end you are working with by loosening the set screw.

NOTE: It might be difficult to remove the bearings because of the beveled edge created by the set screws.

Removing discs:

1. Remove nylon lock nuts and washers from tie rods.

NOTE: WITTEK uses nylon lock nuts on all nuts and bolts combinations. It is recommended that when replacing the lock nut, a **new** nylon lock nut is used. Nylon lock nuts can be purchased at any hardware store (standard size of 3/8" is used).

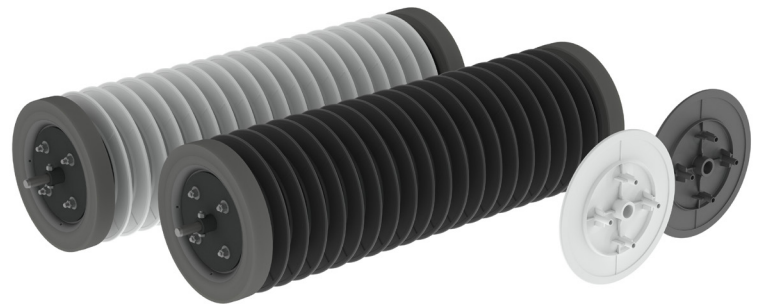
2. Remove end plate by loosening and removing the nut and bolt.
3. Remove the wheel only, tire and the spacer.
4. Begin to remove discs until you reach the worn/damaged disc.
5. Replace old disc with new disc.

Reassembling discs:

1. Replace disc(s) that were removed.
2. Replace the spacer, wheel only, tire and wheel only.

NOTE: Before replacing the end plate and pillow block bearings, lightly sand the shaft to smooth out beveled edges or other nicks created by the set screw (this will make it easier to replace the end plate and pillow block bearings).

3. Replace end plate.
4. Replace washers and nuts on tie rods.
5. Finger tighten all nuts evenly.
6. Place drum section on a flat surface (i.e. worktable).
7. Using a golf ball as a guide tool, insert the golf ball in the space between each disc to determine that the golf ball fits "snugly" and that the golf ball does not slide down. If sliding occurs, retighten the nuts on the tie rods until you have reached the desired snugness in each disc section.



8. Replace nut and bolt on end plate.
9. Replace pillow block bearings.
DO NOT TIGHTEN SET SCREW on the pillow block bearing.
10. Loosen the set screw on the pillow block bearing on the other end of drum section.
11. Replace drum onto frame of picker.
12. Align the drum section by centering the fingers on the frame in each disc section.
13. **TIGHTEN** set screws on the pillow block bearings on **both** ends of drum section.

Replacement Parts and Repairs

Range Rover pickers are designed for continuous use and are virtually indestructible. However, certain component parts, such as discs, bearings, and baskets, are subject to wear and deterioration and may eventually require replacement.

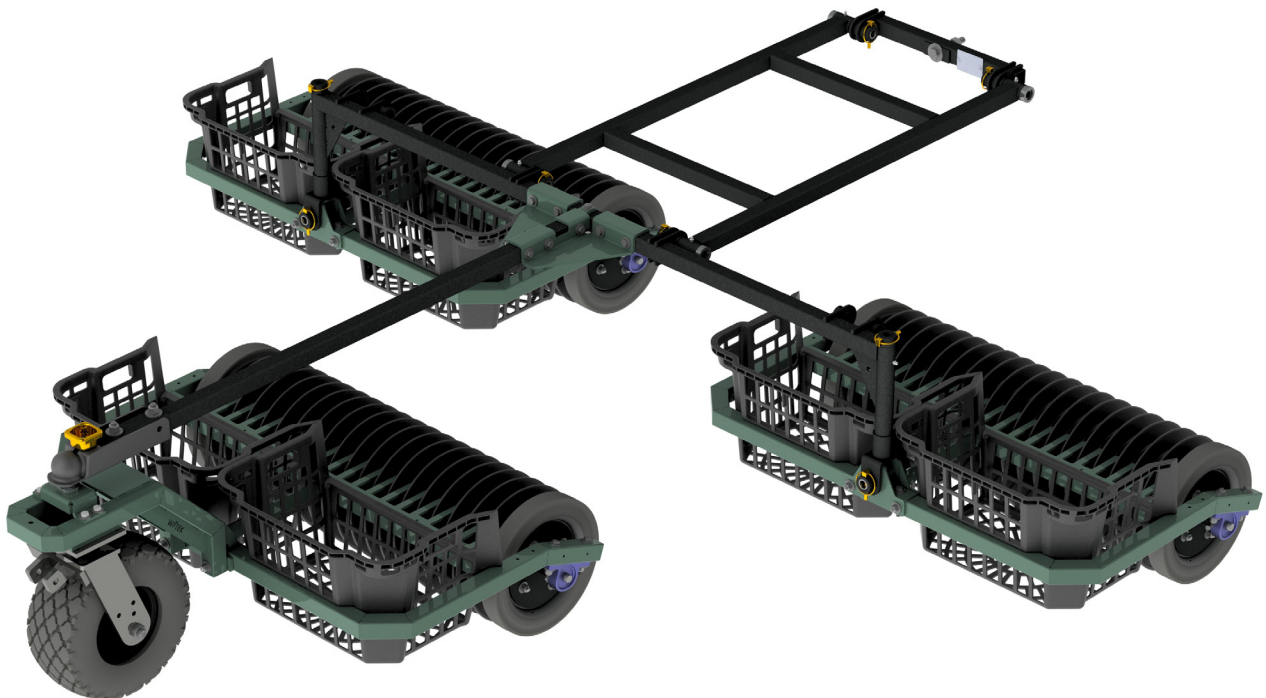
Many components of the Range Rover picker, (combination discs, end wheel, etc.) are maintained in stock at Wittek for immediate delivery. In emergency cases, parts can be shipped via Next Day delivery.

When ordering parts, refer to the item and part numbers listed in the Replacement Parts Section of this manual. Always identify picker model and serial number as found on the identification sticker located on the top of the draw bar. If the model and serial numbers are unavailable, identification can be made through parts measurements. Consult Wittek for details.

In cases of older pickers, some parts may have become obsolete because of design or engineering changes. Many outdated parts are maintained in inventory, or can be manufactured. Consult Wittek for details.

Extremely worn or old pickers may require installation of a complete replacement drum section. Consult Wittek for details.

All assemblies and replacements of the Range Rover picker can be accomplished by maintenance personnel. Be sure to follow all fundamental operation and safety rules when working machinery.



Range Rover Next Gen Ball Picker Replacement Parts

Drawbar Parts List

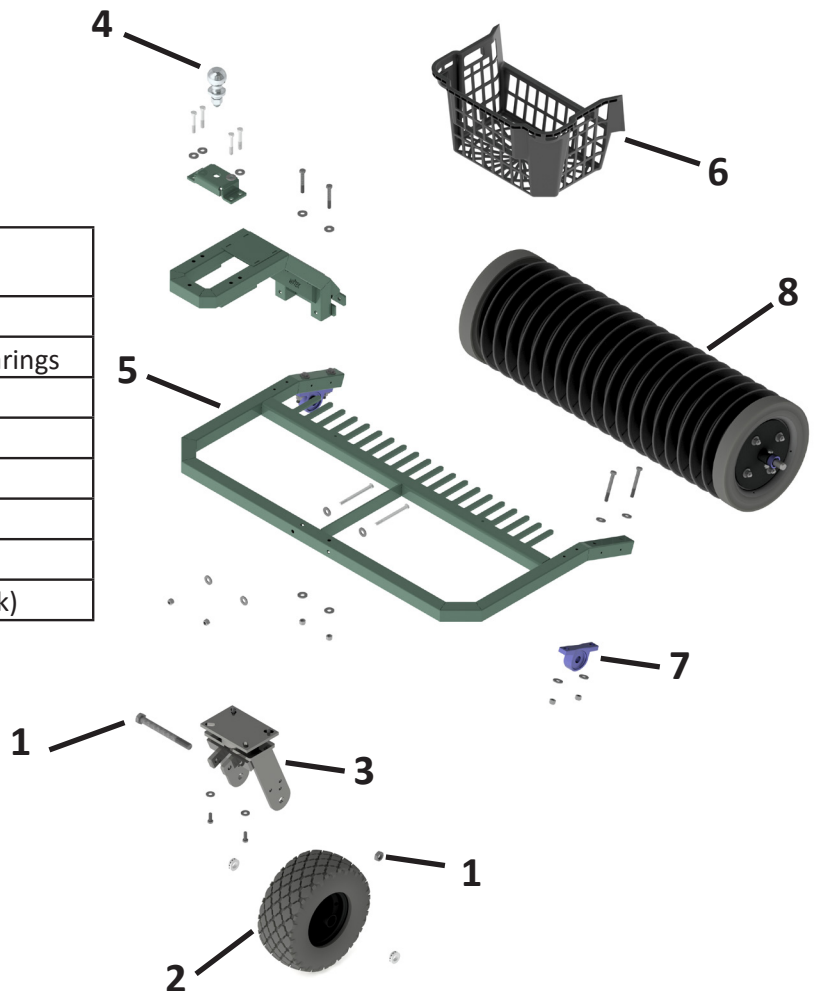
PART NO.	Item Description / Quantity
71770-NG1	Coupler for Draw Bar
71776	Coupler Repair Kit to fit 2" Ball
71798	Ball Hitch - 2" Diameter
R-0011	Gooseneck for Swivel Fork, Short Hitch Mount
RS-001	Range Rover Front Draw Bar
R-002	Range Rover Rear Draw Bar
71969	Range Rover Push Bar/H-Bar
71976	Range Rover Vehicle Attachment Bar
71946-NG1	Heavy Duty Post Assembly
RES0011	Universal Bullet Pin
71936	Swivel/Caster Fork
71941	Axle for Front Wheel
71950	Front Wheel Sealed Bearings
71989	Front Wheel/Tire with Bearings

Drum Section Parts List

PART NO.	Item Description / Quantity
71801	3/4" Pillow Block Bearing
71805	3/4" Axle for 3-5 Gang Drum
71808	Tire only for Drum
RES0012	Range Rover Picker Frame Only
71912	Plastic Picker Basket
71916	Drum Section End Plate
71919	3/8" Tie Rod
71920	Replacement 3' Drum Section (Black)
71920W	Replacement 3' Drum Section (White)
71932	Plastic Disc (Black)
71932W	Plastic Disc (White)
71959	Drum Section End Spacer
71978	Drum Tire Rim for Drum Section
71984-LP	Retaining Pin

Front Gang Parts List

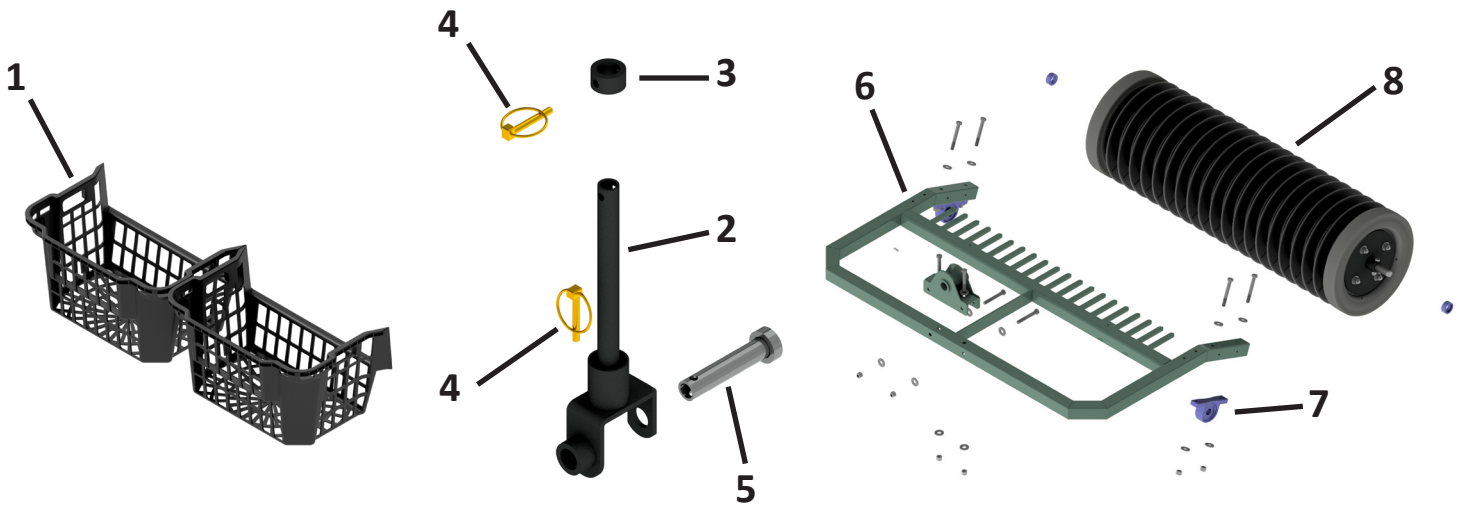
Key #	PART NO.	Item Description / Quantity
1	71941	Axle and Nut for Front Wheel
2	71989	Front Wheel/Tire with Axle and Bearings
3	71936	Swivel Caster Fork
4	71798	2" Ball hitch
5	RES0012	Range Rover Front Frame
6	71912	Plastic Picker Basket
7	71801	3/4" Pillow Block Bearing
8	71920	Replacement 3' Drum Section (Black)



Picker Section Parts List

Key #	PART NO.	Item Description / Quantity
1	71912	Plastic Picker Basket
2	71946-NG1	Heavy Duty Post Assembly
3	RREL002	1" Drilled Shaft Collar
4	71984	Retaining Pin
5	RES0011	Universal Bullet Pin

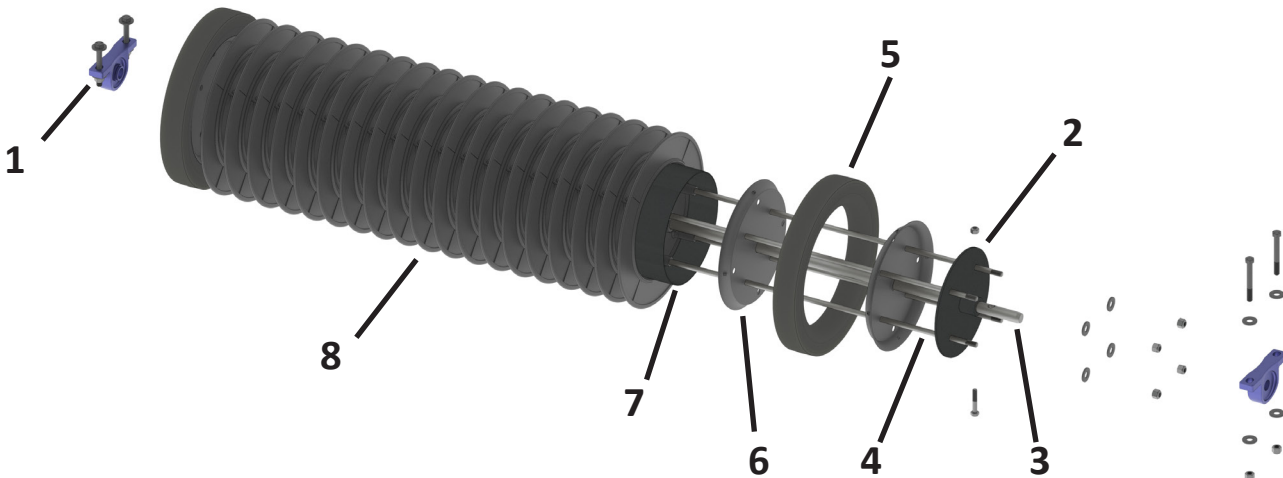
Key #	PART NO.	Item Description / Quantity
6	RES0012	Range Rover Picker Frame
7	71801	3/4" Pillow Block Bearing
8	71920	Replacement 3' Drum Section - Black (Bearings not included)
	71920W	Replacement 3' Drum Section - White (Bearings not included)

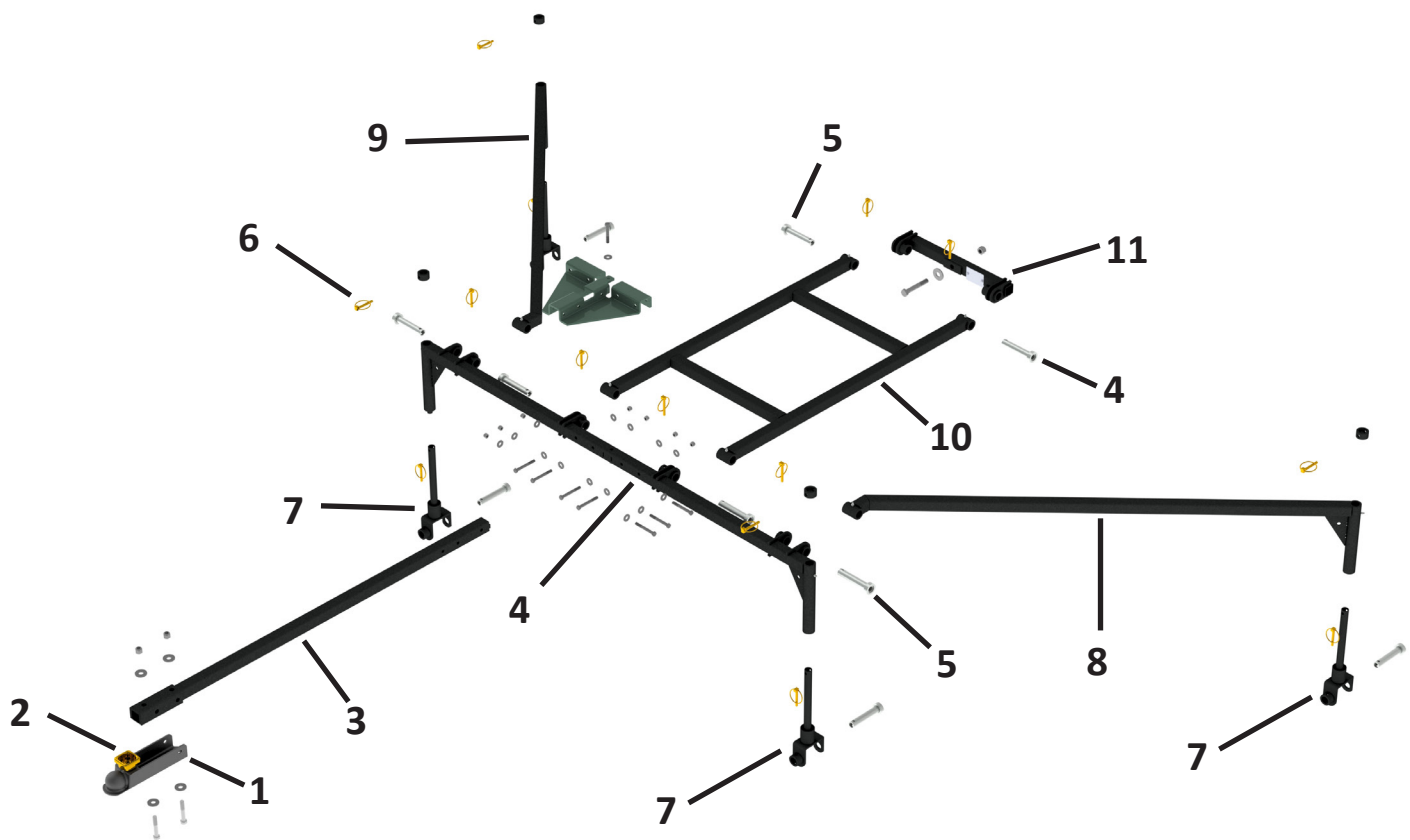


Drum Section Parts List

Key #	PART NO.	Item Description / Quantity
1	71801	3/4" Pillow Block Bearing (2 Per Drum)
2	71916	End Plate (2 Per Drum)
3	71805	3/4" Axle
4	71919	Tie Rod 3/8" (4 Per Drum)

Key #	PART NO.	Item Description / Quantity
5	71808	Drum Section Tire (2 Per Drum)
6	71978	Drum Tire Rim (4 Per Drum)
7	71959	Spacer (2 Per Drum)
8	71932	Plastic Disc - Black (19 Per Drum)





Key #	PART NO.	Item Description / Quantity
1	71770-NG1	Coupler
2	71776	Coupler Repair Kit
3	RS0009	Range Rover Front Drawbar
4	R-002	Range Rover Rear Drawbar
5	RES0011	Universal Bullet Pin
6	71984	Retaining Pin
7	71946-NG1	Heavy Duty Post Assembly
8	RR008	Left Extension Arm (From Drivers Perspective)
9	RR009	Right Extension Arm (From Drivers Perspective)
10	71969	H-Bar/Push Bar
11	71976	Vehicle Attachment Bar