

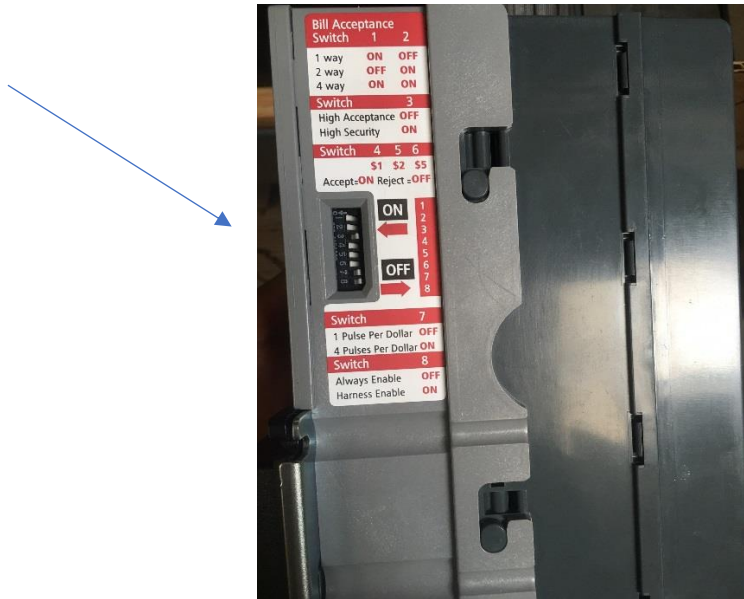
Bill Acceptor Resetting & Troubleshooting



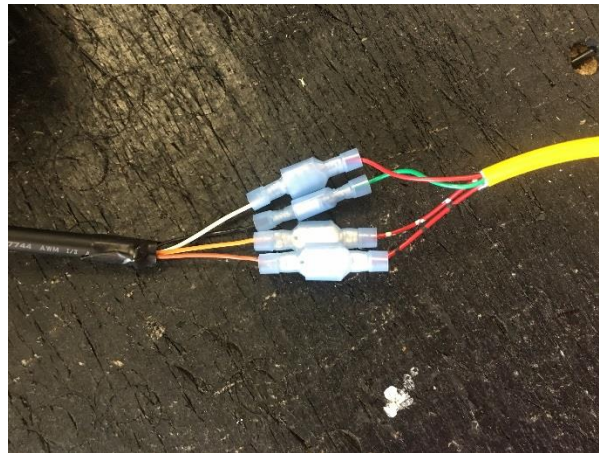
Call 1-800-869-1800 or go online at wittekgolf.com to order!



1. Check bill acceptor switch; make sure switches are aligned as shown in picture below

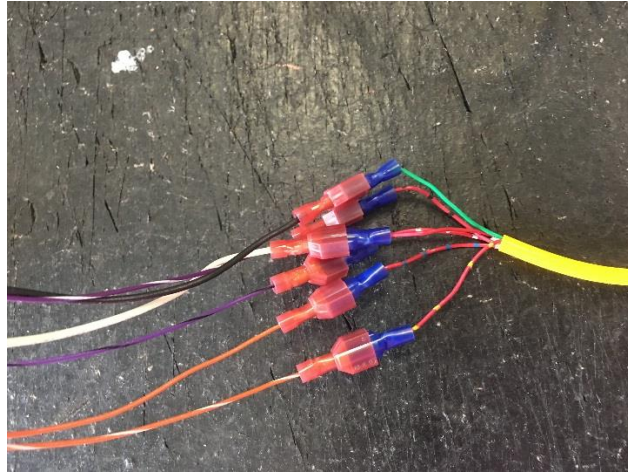


2. Check bill acceptor to control box connections, colors much match:



Left Side (Bill Acceptor)	Right Side (Control Box)
Black	Green
White	Solid Red
Yellow	Red/White Stripe
Orange	Red/black Stripe

3. Check accumulator board to control box connections, colors must match:



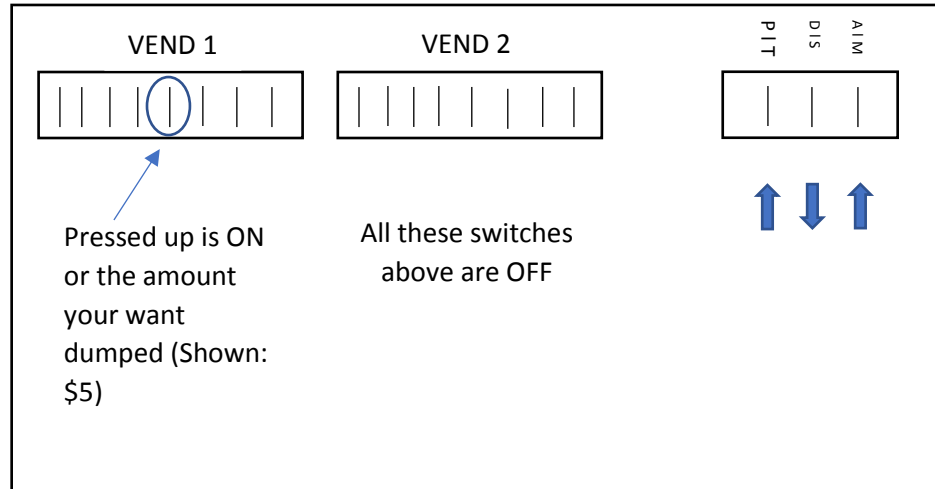
Left Side (Accumulator Board)	Right Side (Control Box)
Black	Green
White	Solid Red
Purple w/ White Stripe	Red w/ Black Stripe
Purple w/ Black Stripe	Red w/ White Stripe
Orange	Red w/ Blue Stripe
Orange w/ White Stripe	Red w/ Yellow Stripe

4. Check accumulator board switches (Switch pushed down should be for the amount you want dumped, \$5 shown below)



Sample bill accumulator board

For dollar bills only, NOT quarters



To reset bill acceptor, press BLUE/GREEN button on back/bottom inside part of bill acceptor

See Wittek Signature Dispenser Manual for Bill Acceptor reset sheet