

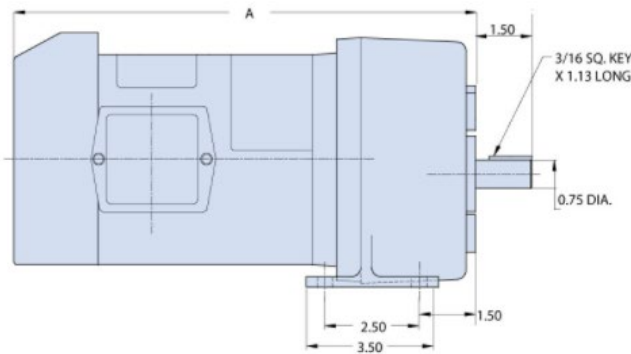
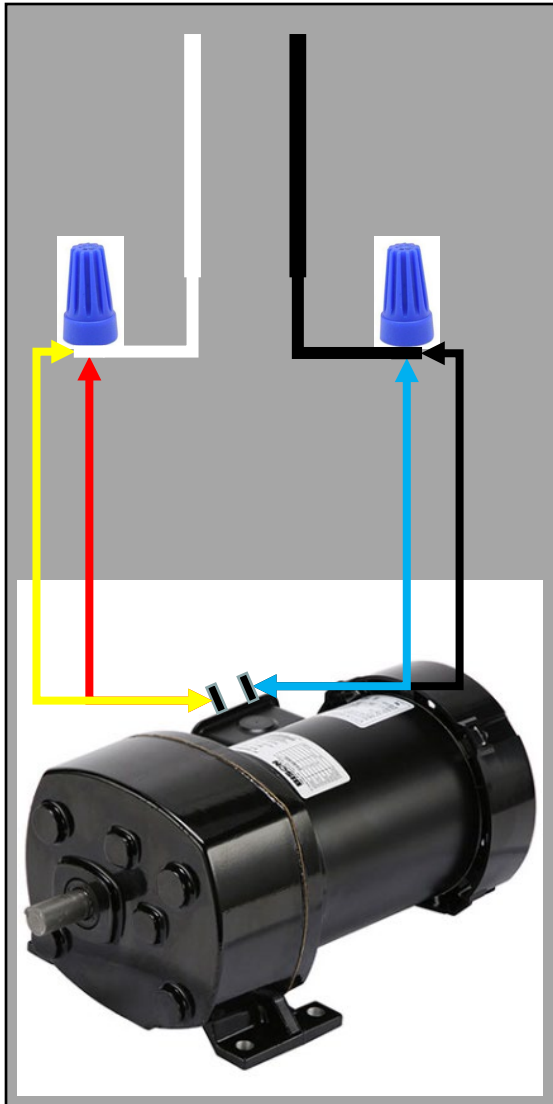


WITTEK GOLF SUPPLY
300 Bond Street
Eik Grove Village
IL - 60007, USA
1-800-869-1800
<https://www.wittek.com>

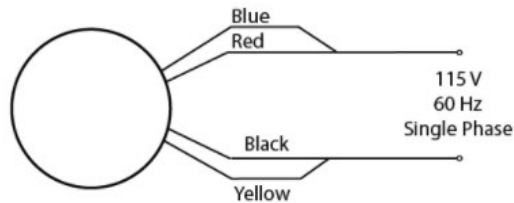
73374-B-KIT (REPLACEMENT MOTOR KIT FOR 73374-B; 50G SW INSTRUCTIONS) REV A



MOTOR DIAGRAM & WIRING DIAGRAM



HP	A
1/2	12.76
1/4, 1/3	12.33



To Reverse, interchange blue and yellow leads.

480 Series Split Phase
 115 V AC 1/4, 1/3 and 1/2 hp

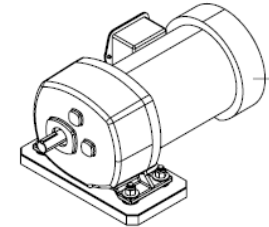
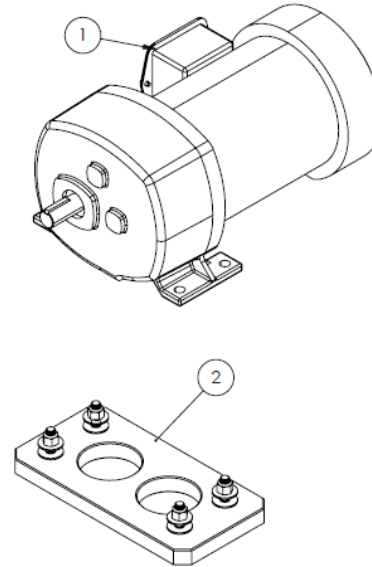
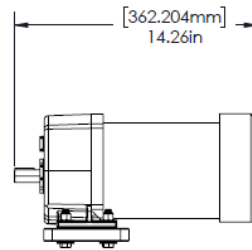
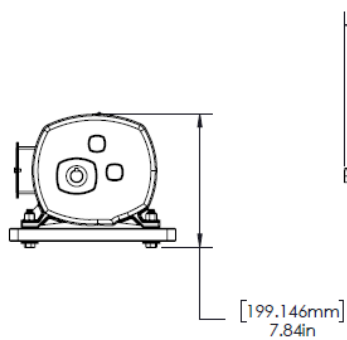
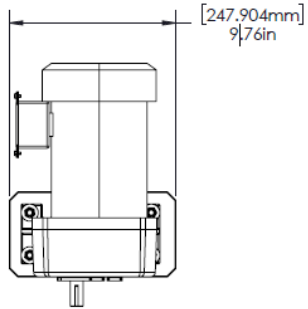
FOR 50G SW WIRE IN REVERSE;

- 1. MOTOR RED +YELLOW CONNECTED TO LINE SUPPLY (WHITE)**
- 2. MOTOR WIRES BLACK+BLUE CONNECTED TO SUPPLY (BLACK)**

73374-B-KIT (REPLACEMENT MOTOR KIT FOR 73374-B; 50G SW INSTRUCTIONS) REV A

MOTOR KIT DRAWING

ITEM NO.	PART NUMBER	DESCRIPTION	QTY.
1	73374-B BGE 014-482-2053	(BISON GEAR ENG. AC GEAR MOTOR, 115V 8A .5HP 33RPM 851-ILBTQ; 50G SW)	1
2	73164-0-08-KIT BGE-014-482-2053-MMPA-KIT	(MOTOR MNT PLTE ADPTR KIT FOR 73374-B; 50G SW)	1

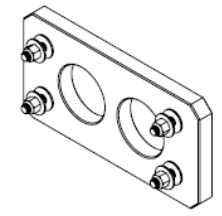
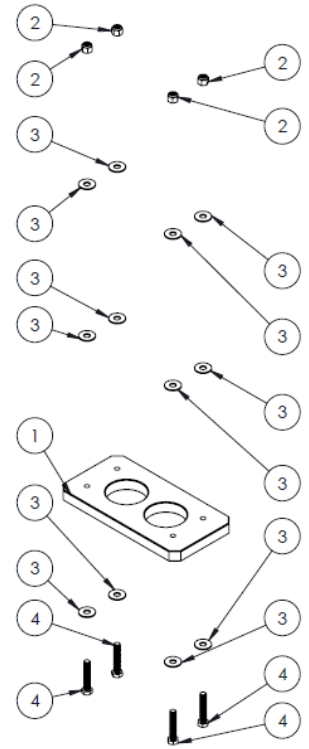
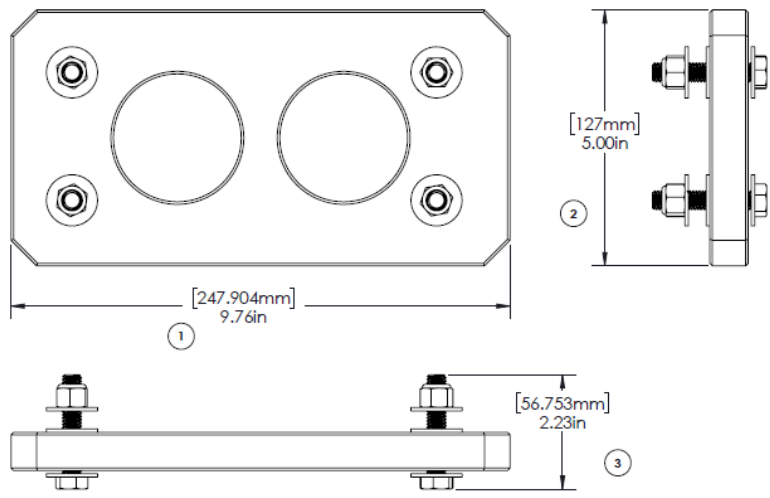


NOTES:

PROPRIETARY AND CONFIDENTIAL: THE INFORMATION CONTAINED IN THIS DRAWING IS THE SOLE PROPERTY OF WITTEK GOLF SUPPLY CO., INC. ANY REPRODUCTION IN PART OR AS A WHOLE WITHOUT THE WRITTEN PERMISSION OF WITTEK GOLF SUPPLY CO., INC. IS PROHIBITED.

MOUNTING PLATE KIT DRAWING

ITEM NO.	PART NUMBER	DESCRIPTION	QTY.
1	73164-0-08 WG-BGE-014-482-2053-MMFA	(MOTOR MOUNT PLATE ADAPTER; 50G SUPER WASH)	1
2	M-99-004 MMC-95615A140	(.375-16 INCH HEX NYLON LOCK NUT GR5 ZINC)	4
3	HW-FW.375-001 MMC-90785A031	(.375 (3-8) INCH FLAT WASHER 0.054-0.068 THICK 400 NICKEL)	12
4	HW-HHCS-.375-003 MMC-92865A632	(.375-16 (3-8) INCH X 2 HEX HEAD CAP SCREW GRD 5 ZINC PLATED)	4



NOTES:

PROPRIETARY AND CONFIDENTIAL: THE INFORMATION CONTAINED IN THIS DRAWING IS THE SOLE PROPERTY OF WITTEK GOLF SUPPLY CO., INC. ANY REPRODUCTION IN PART OR AS A WHOLE WITHOUT THE WRITTEN PERMISSION OF WITTEK GOLF SUPPLY CO., INC. IS PROHIBITED.

SEE PRINT FOR UNSPECIFIED TOL'S
 MFG DRAWING STD: ANSI Y14.5M
 MFG DIMS ARE FOR REFERENCE ONLY
 #2 DIMS COPIES ARE UNCONTROLLED
 SEE CUSTOMER DWG FOR KEY FEATURES

THIRD ANGLE

TITLE:
 (MOTOR MNT PLTE ADPTR KIT FOR 73374-B; 50G SW)

DWG NUMBER: 73164-0-08-KIT REV. G

WENG# 9GE-014-482-2053-MMFA-KIT REV. G